

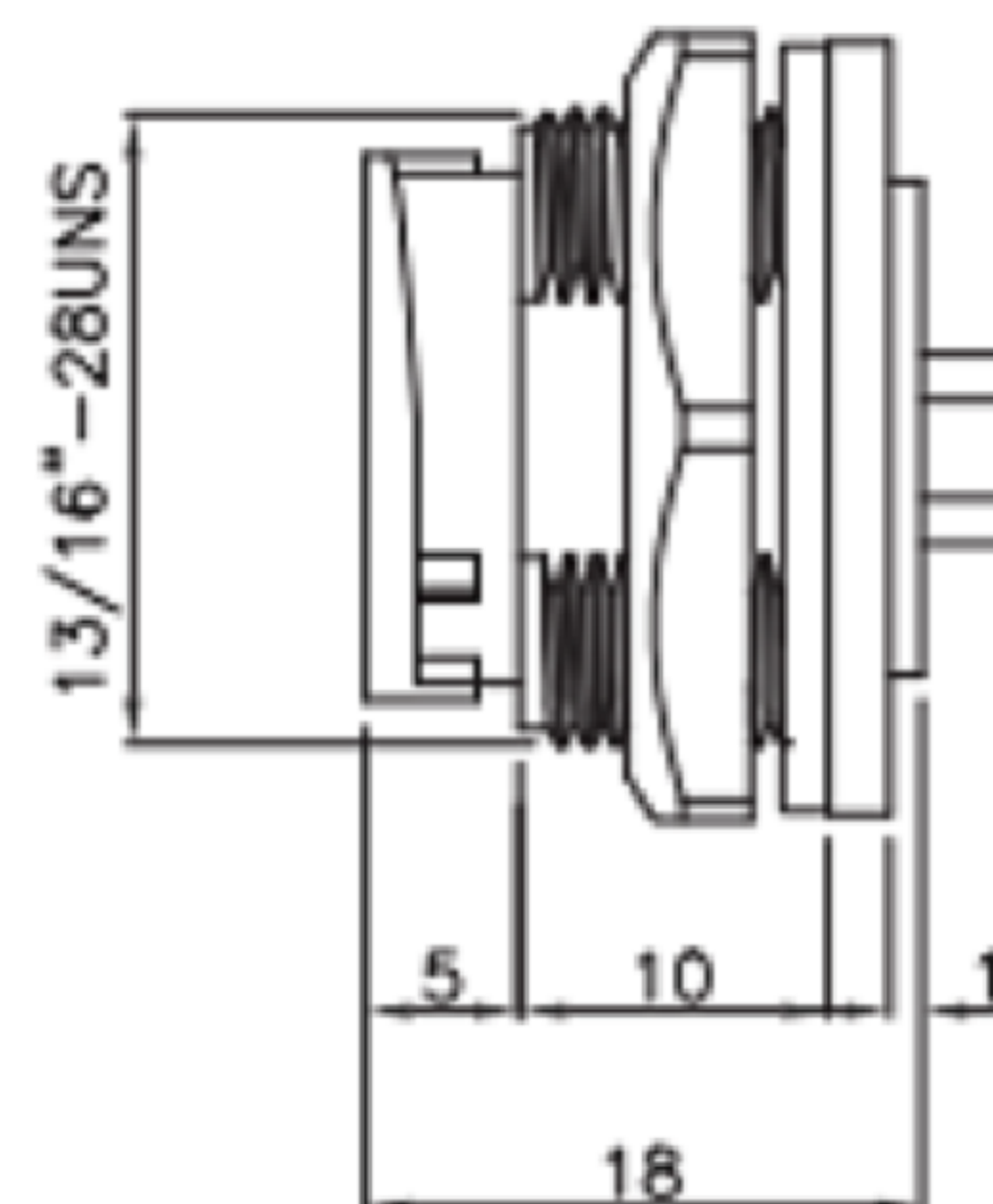
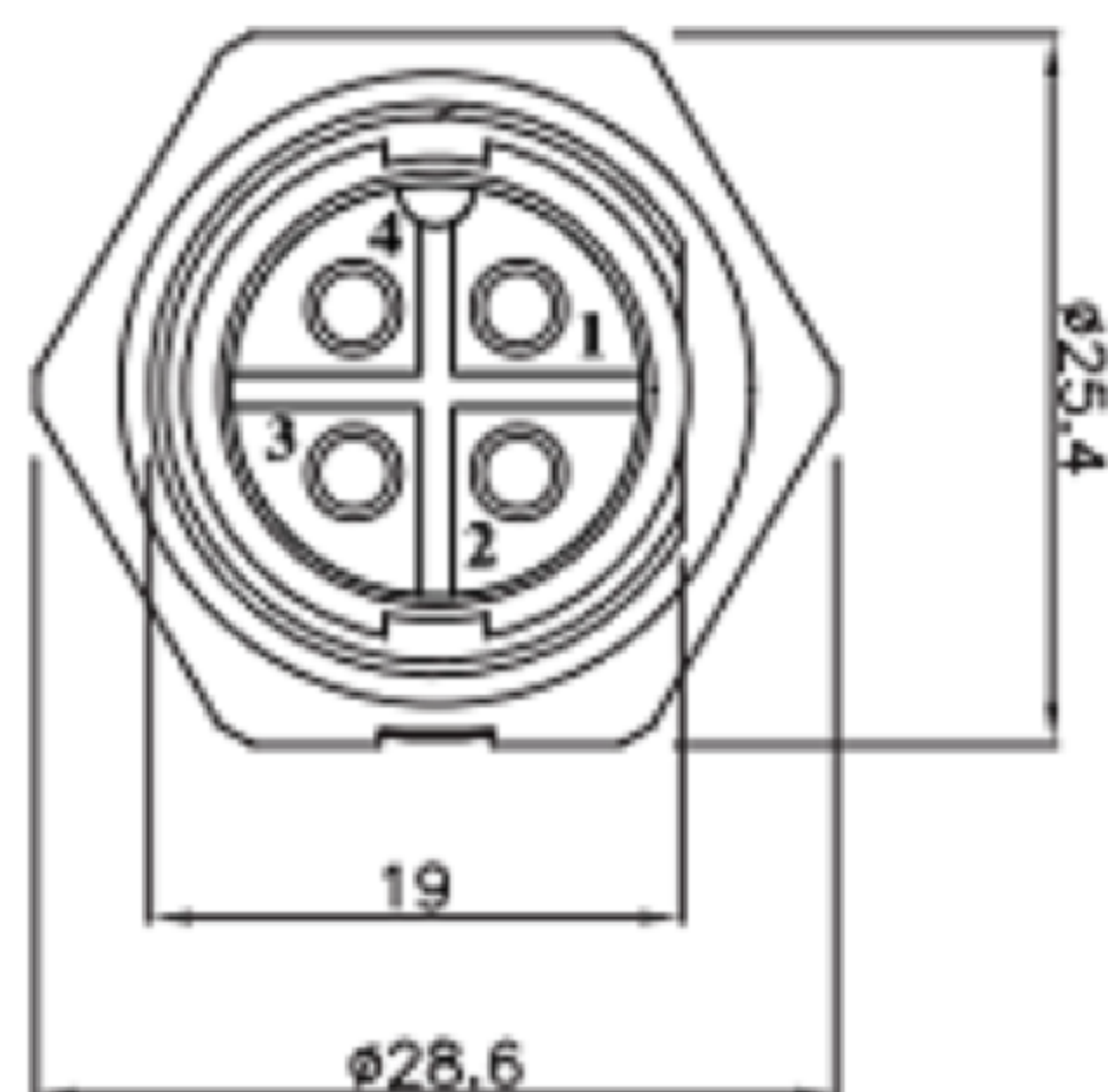


板后安装孔型PCB版式插座(卡扣式)

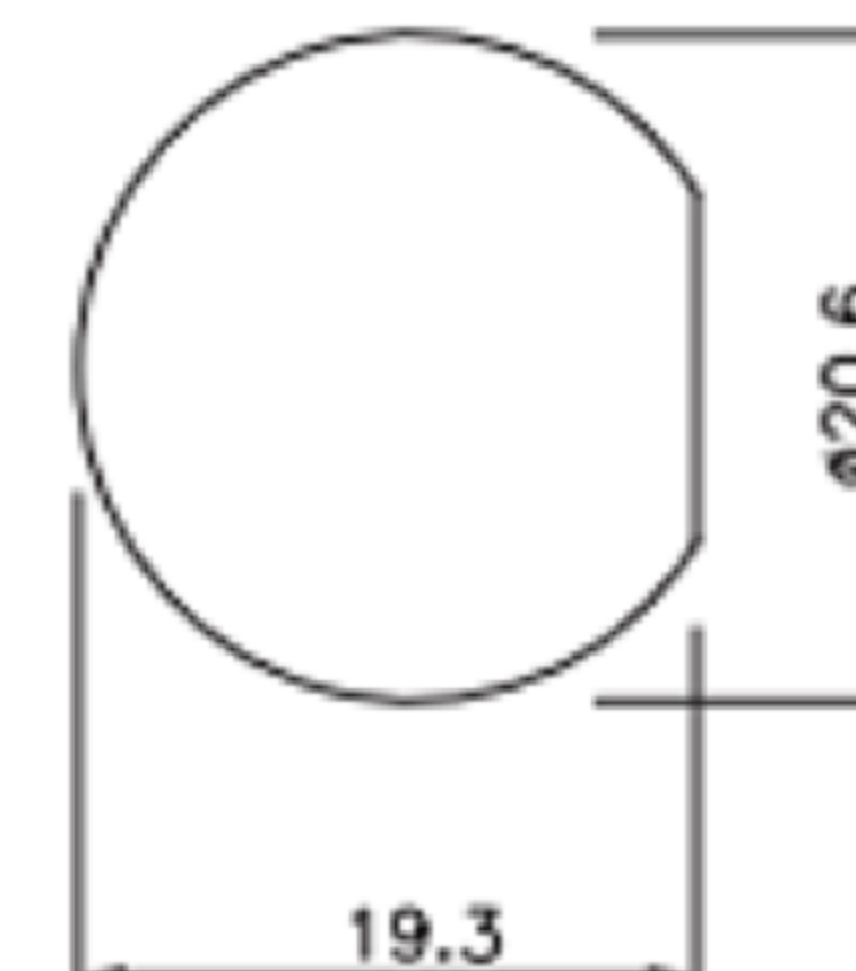
E13 Female Back Mount PCB Receptacle(Bayonet)

E13B - S 3B - PPF

芯数:
A:2 3 4 5 6 7 8 9
10 12 14
B:2B 3B 4B
C:8C



开孔尺寸
hole opening size



产品参数 PRODUCT PARAMETERS

| | | | |
|--------------------------|---|--------------------------------|----------------|
| 外壳材料 Shell material | 热塑性塑料PA66 阻燃等级: V-0 Thermoplastic plastic PA66, flame retardant grade: V-0 | 绝缘电阻 Insulation resistance | 2000 mΩ |
| 插针材料 Contact material | 铜镀金 Copper gold-plated | 适用温度 Applicable temperature | -40°C ~ +105°C |
| 连接方式 Coupling | 螺纹锁紧(T);卡扣锁紧(B) Thread (T); Bayonet(B) | 电缆线径 Cable diameter | 6.0mm~10.0mm |
| 接线方式 Termination way | 焊接 Solder | 防水等级 Waterproof grade | IP67、IP68 |
| 插拔次数 Durability | ≥500次(Cycles) | | |

东莞市高迪电子有限公司
DONG GUAN GAO DI ELECTRONICS CO., LTD

TOLERANCE UNLESS OTHERWISE STATED:
Up to 5 ±0.2
Above 5 ~ 15 ±0.3
Above 15 ~ 30 ±0.4
Above 30 ~ 50 ±0.5
Angle ±0.3°

3RD. ANGEL'S

UNITS MM

| | | | | |
|--------------|----------|-----------|----------|-------------------|
| DRAWN BY: | DATE | MAT'L | TITLE | CONNECTOR |
| Jack Lu | 12/13/19 | | | |
| CHECKED BY: | DATE | FINISH | MODLE | E13B - S 3B - PPF |
| Jacky Chen | 12/13/19 | | | |
| APPROVED BY: | DATE | SCALE | DWG NO. | |
| Tony Kao | 12/13/19 | 1 : 1 | | |
| | | SHEET NO. | PART NO. | |
| | | 1 of 1 | | |

| | | | |
|----------|-------------|-------|------|
| ITEM NO. | DESCRIPTION | DRAWN | DATE |
| | | | |

SIZE
A4
VER
R1